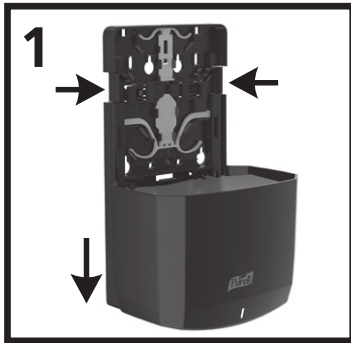




PURELL® ES8 Soap & Sanitizer Touch Free Dispenser Installation and Use Instructions

Please read all instructions carefully before installing and using the dispenser. Do not install in locations where dispensers may be exposed to wet environments such as showers or areas where walls are washed down.

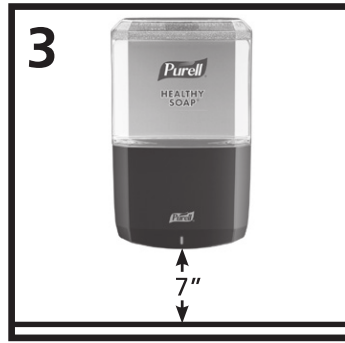
Dispenser Installation



Open dispenser by pressing release buttons on side of dispenser and slide the front cover down.

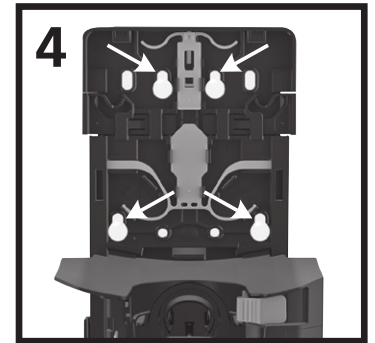


Check label inside dispenser before installing.
 ES8 SOAP = soap dispenser
 ES8 SAN = hand sanitizer dispenser



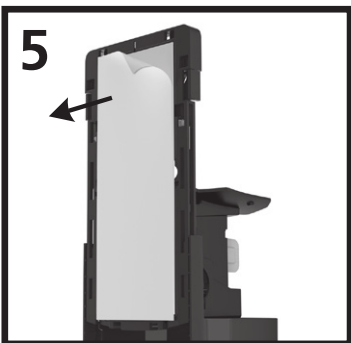
Install dispenser with at least 7" free space above counter top to allow routine service.

If installing with wall fasteners

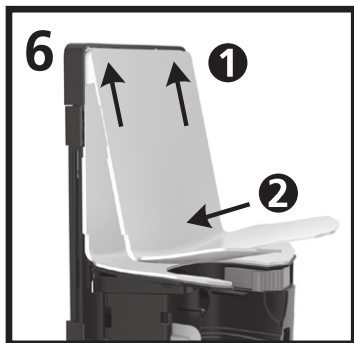


Using the dispenser as a template, pierce the tape on the back plate to mark and drill four holes using 1/4" drill bit. Use the supplied wall anchor and #10 x 1" screws to secure the dispenser in place, being careful not to over tighten. It is recommended to use 4 screws. If only two are possible, the top two holes should be used. **Recommended holes shown.**

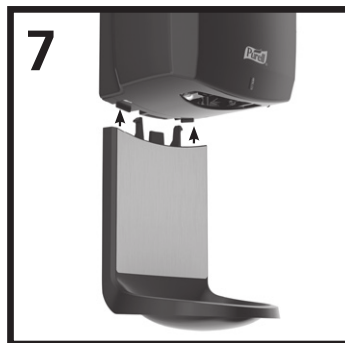
If installing with tape



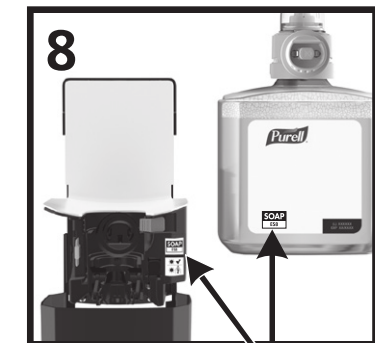
Clean installation surface with an alcohol pad. Allow surface to dry for 60 seconds then peel paper off installation tape and press firmly on back plate for 10 seconds. For maximum adhesion, wait 24 hours before loading refill or using dispenser.



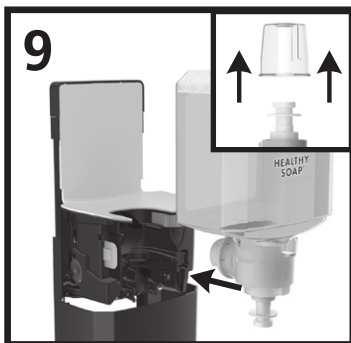
Attach the back plate by pressing on the top two corners and the bottom middle section. Audible clicks will confirm proper installation.



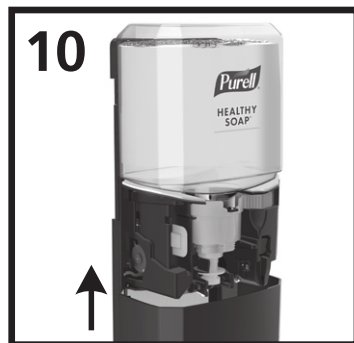
Install the SHIELD™ Floor and Wall Protector into the bottom of the dispenser by aligning plastic tabs on the SHIELD with slots on the dispenser and sliding up until the tabs snap into place. (SHIELD is included with Sanitizer Systems and can be ordered for Soap systems).
 7745-WHT-18 White SHIELD Floor and Wall Protector
 7745-GPH-18 Graphite SHIELD Floor and Wall Protector



Match label on refill with label on dispenser.



Remove refill cap and push the new refill into dispenser until it clicks in place.

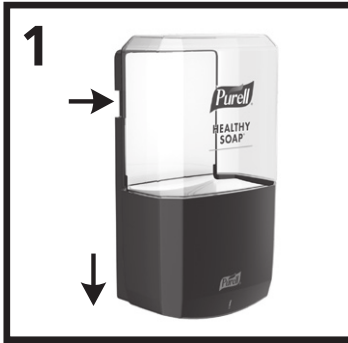


Close dispenser cover. The green status light will blink after closing, indicating the dispenser is ready to use.

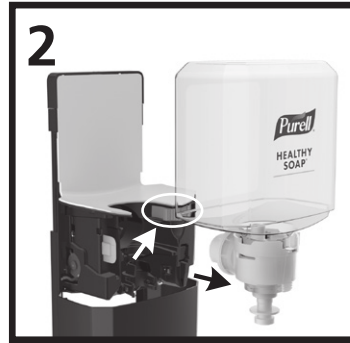


Place palm approximately 2" below dispenser, product will dispense within 1 second of sensor activation.

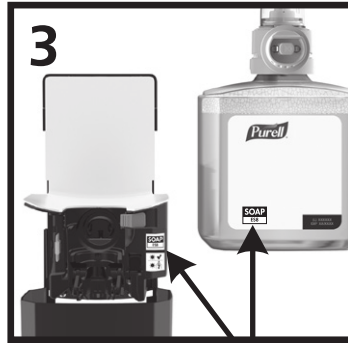
Refill Replenishment



1 Open dispenser by pressing release buttons on side of dispenser and slide the front cover down.

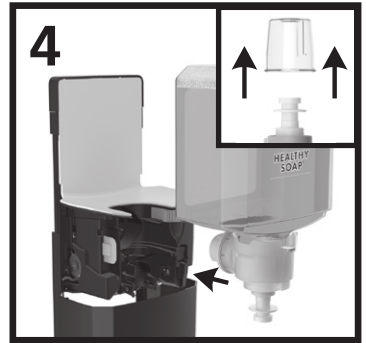


2 Push **green** release button and remove empty refill.

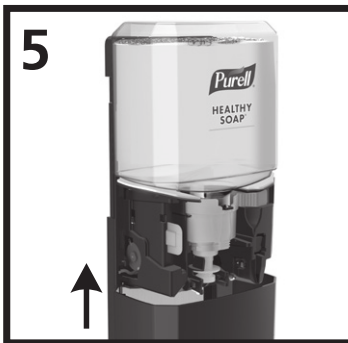


3 Match label on refill with label on dispenser.

SOAP
ES8



4 Remove refill cap and push the new refill into dispenser until it clicks in place.

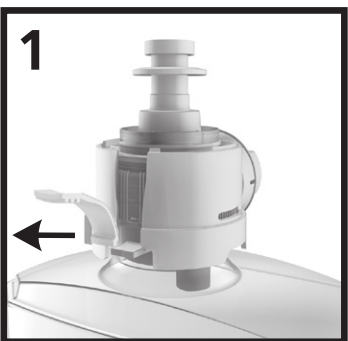


5 Close dispenser cover. The green Status light will blink after closing, indicating the dispenser is ready to use.

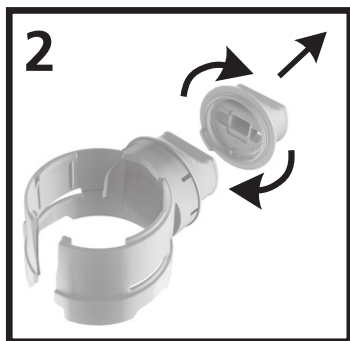


6 Place palm approximately 2" below dispenser, product will dispense within 1 second of sensor activation.

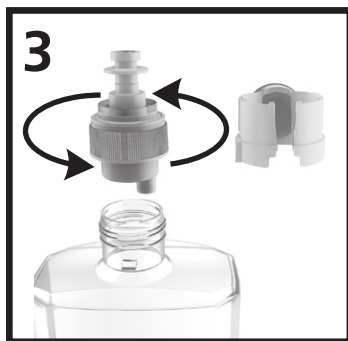
Disposal/Recycling



1 Pull the tab to release the collar from bottle.

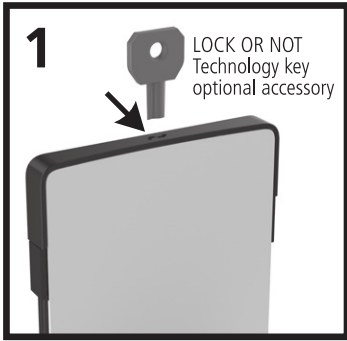


2 Separate the energy source (non-rechargeable lithium metal coin cell battery) from the collar and dispose in accordance with federal, state and local regulations.

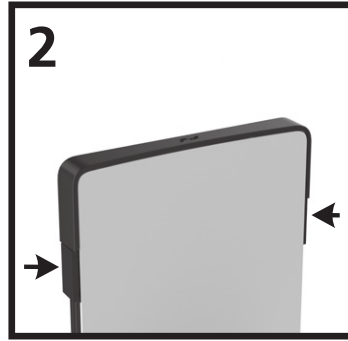


3 Separate the refill pump from the recyclable PET Bottle. Dispose/Recycle the PET bottle.

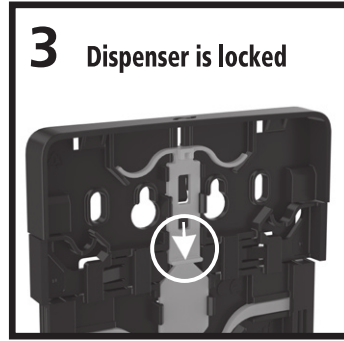
Locking the dispenser with LOCK OR NOT™ Technology



Lock the dispenser by aligning the key with the keyhole on the top of the dispenser and pushing down until a click is heard.

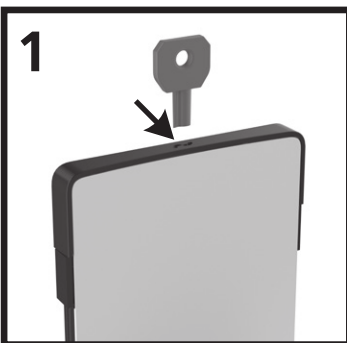


Check for a successful lock by pressing the release buttons on side of dispenser to see if the front cover releases and slides down. Once locked, the dispenser will remain in the locked state. To open a locked dispenser, insert the key into the keyhole and press down until the front cover is released.

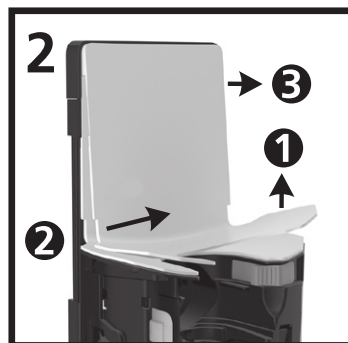


Locked position visual shown as reference, back plate does not need to be removed to lock dispenser.

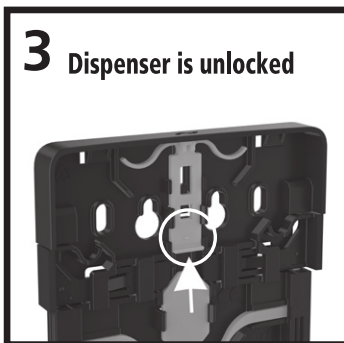
Disabling the Locking Mechanism



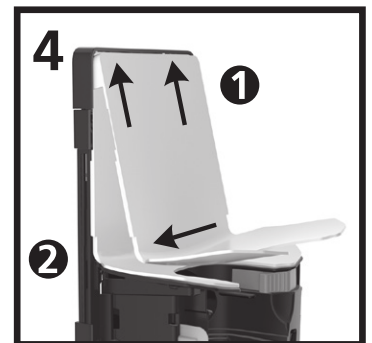
Open a locked dispenser by inserting the key into the keyhole on the top of the dispenser to release the front cover.



Remove the back plate by lifting the bottom right hand corner in an upward and away motion.



Restore to the unlocked position by pushing the locking mechanism toward the top of the dispenser.



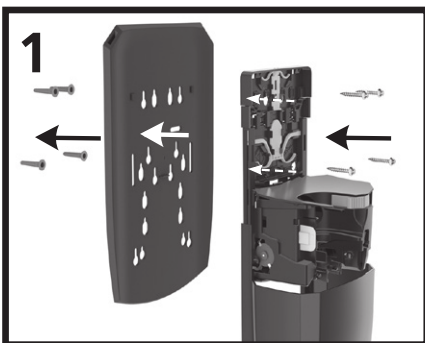
Attach the back plate by pressing on the top two corners and the bottom middle section.

TRUE FIT™ Wall Plate and MESSENGER™ Dispenser Station Installation

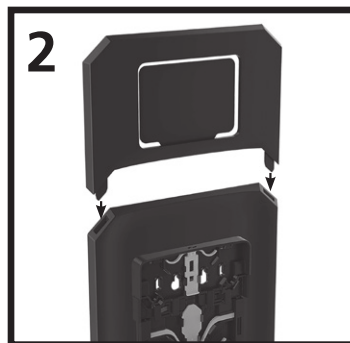
The TRUE FIT & MESSENGER Station are optional accessories that can be utilized with the dispensing systems.

Use the TRUE FIT Wall Plate to cover any wall damage from removing old dispensers.

The MESSENGER Station lets you add a sign to promote good hand hygiene.



Install the TRUE FIT wall plate at the designated anchor holes. Place the TRUE FIT wall plate between the dispenser and the wall during installation.



Slide two prongs at the bottom of the MESSENGER Dispenser Station into the inlet holes above TRUE FIT Wall Plate until they set in. The MESSENGER Dispenser Station accepts a standard 3" x 4" clear name badge holder with a 3" x 4" name badge card that can be ordered from most office supply vendors. Print a message on a 3" x 4" name badge card and insert the message between the frame and back with message facing out.

Order this wall plate if you aren't using a MESSENGER Station.



7740-GPH-18
TRUE FIT Wall
Plate - Graphite



7740-WHT-18
TRUE FIT Wall
Plate - White

The MESSENGER Station includes a Wall Plate.



7741-GPH-18
TRUE FIT Wall Plate +
MESSENGER Dispenser
Station - Graphite



7741-WHT-18
TRUE FIT Wall Plate +
MESSENGER Dispenser
Station - White

Dispenser Status LED

Green Flash - every 7 seconds = good

Red Pulse + no dispense + charge level low

Red flash - every 7 seconds = out of service

- Wrong refill
- Unrecoverable clog

Red/Green alternating flashes = system fault (replace)

Warnings

Use dispenser only as directed.

Do not use in areas where dispenser may be exposed to wet environments such as showers or outdoors.

Do not install or use in extreme hot or cold locations.

Dispensed product intended for external use only. Refer to refill for actions in case of ingestion.

Cleaning and Maintenance

Clean exterior surfaces of the dispenser using warm water and mild soap.

DO NOT USE ABRASIVE CLEANERS.

Dry with a soft cloth.

Troubleshooting

No Dispensing, Motor Does Not Run

- Hands are not directly beneath sensor
- No refill is loaded
- Incorrect refill is loaded

No Dispensing, Motor Runs

- Refill is empty or loaded incorrectly
- Refill pump is not primed

Rated 6Vdc

Battery Operated Appliance

Classification, per UL 60601-1

Internally Powered

Type B Applied Part

IXPO

Not suitable for use in the presence of a flammable anesthetics

Definitions of Symbols



Type B Applied Part



Attention, consult accompanying documents



179P

MEDICAL EQUIPMENT

WITH RESPECT TO ELECTRIC SHOCK,
FIRE AND MECHANICAL HAZARDS ONLY
IN ACCORDANCE WITH UL60601-1, IEC60601-1,
CAN/CSA C22.2 No. 601.1



GOJO Industries, Inc.
One GOJO Plaza, Suite 500
P.O. Box 991 • Akron, OH. 44309-0991
Tel: 1-330-255-6000 • Toll-free: 1-800-321-9647
Fax: 1-800-FAX-GOJO